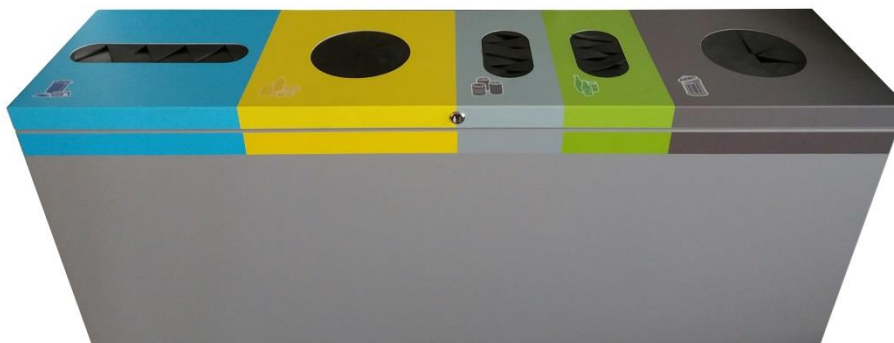


## PRODUCT No. 7375

### Five-chambered waste bin for separated waste



(Illustrative photograph)

#### Technical data

Material (lid/container)	Hot-dip galvanized steel sheet with 1,5 mm thickness (DX 51D+Z, EN 10 143)
Membranes	Rubber with fabric liner (black)
Lock (triangle key)	Steel – nickle coated
Hinges	Steel – nickle coated
Gas strut	Steel – nickle coated
Labeling	Waterproof pressed foil (highly resistant against UV radiation)
Lange/handles	PVC (černá) / Polyamide (black)
Rivets, nuts, bolts, pads	Steel – nickle and copper coated
Capacity (Paper/plastic/other)	3x 110 l (bag, type – 1077)
Capacity (Metals/glass)	2x 54 l (bag, type – 5030)
Weight (overall)	90 kg
Width	400 mm
Length	1600 mm
Height	800 mm

#### Attributes

- Five-chamber waste bin for collection of separated waste.
- Suitable for offices, entrance halls or central areas.
- The central lid is lockable by triangular key.
- Equipped with a gas strut for securing the lid in the opened position.
- Each section is equipped with a bag frame. Equipped with four plastic holders for heavier handling.
- The waste bin can be anchored to the ground/pad (connecting material is not included).

#### Color variations

- Surface finishing (container/lid) – Gray powder paint (RAL 7045 matt)/full surface labeling, waterproof, UV resistant.

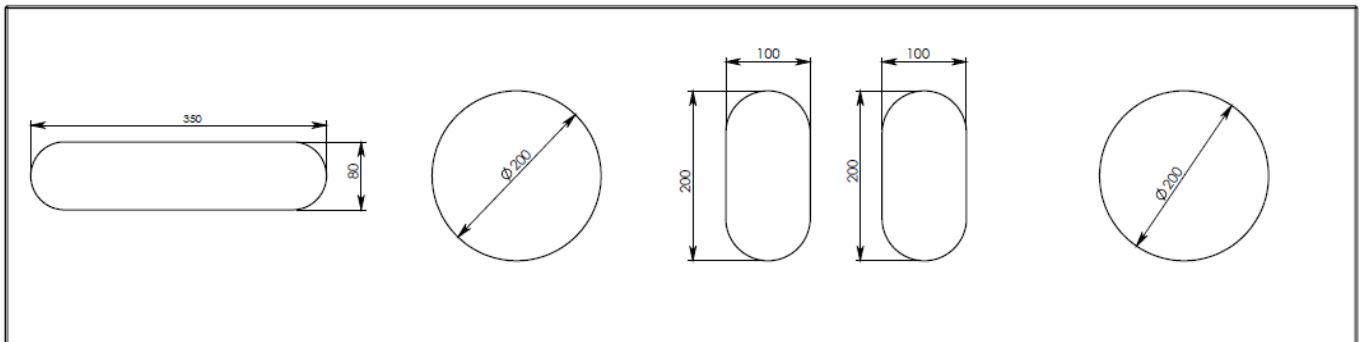
#### Product purpose

- Designed for waste separation in an interior spaces.

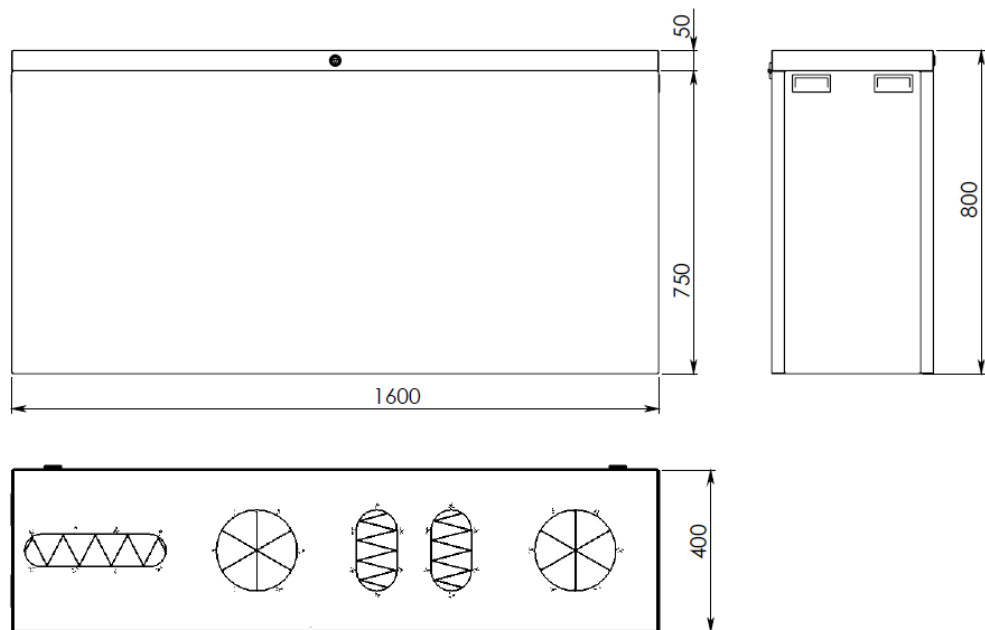
#### Additions

- Can be equipped with a bag – type 5030 and 1077.

### Opening dimensions:



### Dimensions:



### Illustrative photographs:

