

### PRODUCT No. 7683

### Tank for rainwater Barrica – 260 l



(Illustrative photograph)

#### Technical data

Material	Plastic
Capacity	260 l
Weight	10 kg
Threaded connection	3/4"
Diameter	650 mm
Height	930 mm

#### Attributes

- Made of 100% recycled plastic material.
- Tank with a design of imitation of rustic wooden barrel.
- The material is resistant to UV radiation and weather influences.
- The tank is equipped with a removable lid and a child lock.
- Equipped with two threaded connections 3/4".
- One connection for a tap and other for the universal hose.
- The tap is part of delivery.

#### Color variations

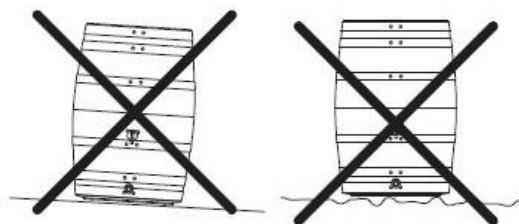
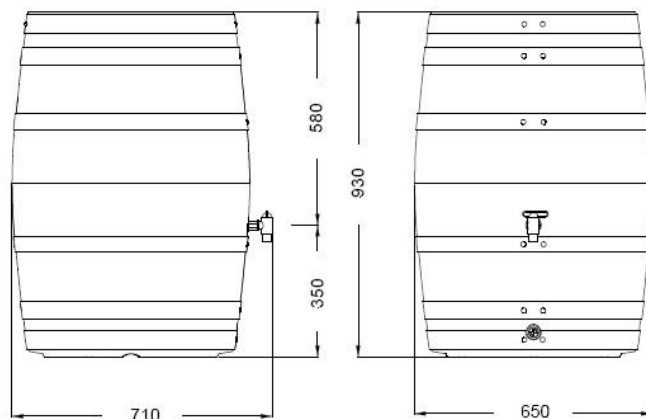
- Brown.

#### Product purpose

- Designed for rainwater management.

#### Additions

- The tank have to be placed on a solid and flat surface.



### Attributes

It is not suitable to keep any water inside the product in a winter season. The water may become ice and potentially damage the product.

The product is made of plastic material and therefore has no fire protection and is therefore a flammable product. Do not store the product in the immediate vicinity of heat sources (e.g. naked fire).

### Winter maintenance

The tank must be completely emptied.

Disconnect the tank from the intake from downpipe.

Set the tap into open position.

In case of usage of downpipe filter, set it into winter mode.

