

PRODUCT No. 7689

Tank for rainwater Amphora – 600 l



(Illustrative photograph)

Technical data

Material	Plastic
Capacity	600 l
Weight	30 kg
Threaded connection	3/4"
Diameter	920 mm
Height	1420 mm

Attributes

- Made of 100% recycled plastic material.
- Decorative tank for rainwater collection in a design of antique Amphora ceramic vessel.
- The material is resistant to UV radiation and weather influences.
- Equipped with an integrated pot for flowers.
- Equipped with two threaded connections 3/4" for easy connection of the tap and universal hose.
- The tap is part of delivery.

Color variations

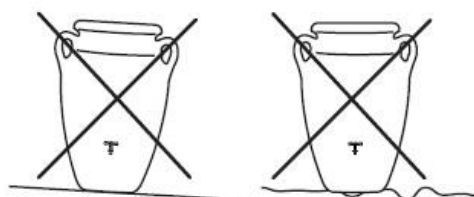
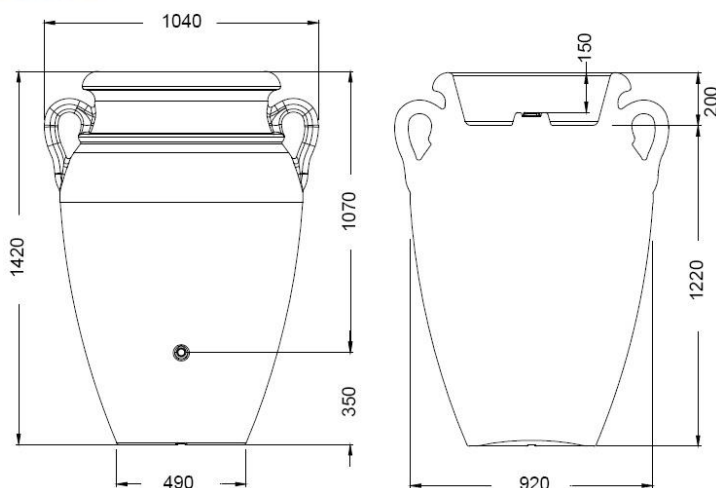
- Terracotta.

Product purpose

- Designed for rainwater management.

Additions

- The tank have to be placed on a solid and flat surface.



Attributes

It is not suitable to keep any water inside the product in a winter season. The water may become ice and potentially damage the product.

The product is made of plastic material and therefore has no fire protection and is therefore a flammable product. Do not store the product in the immediate vicinity of heat sources (e.g. naked fire).

During planting of flowers into the flowerpot in the top part of tank use geotextile.

Winter maintenance

The tank must be completely emptied. Disconnect the tank from the intake from downpipe. Set the tap into open position. In case of usage of downpipe filter, set it into winter mode.

