

PRODUCT No. 7691

Round rainwater tank – 310 l



(Illustrative photograph)

### Technical data

Material	Recycled PP
Capacity	310 l
Weight	7 kg
Diameter	800 mm
Height	940 mm

### Attributes

- Made of 100% recycled Polypropylene (PP).
- Simple solution for collection of rainwater from the gutter system.
- High stability due to bottom and stand construction.
- Easy mounting of accessories.
- Possibility of connection multiple tanks (interconnection kit).

### Color variations

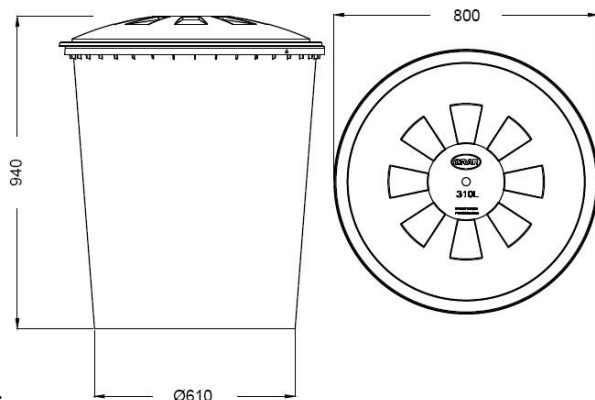
- Standardly green.

### Product purpose

- Designed for collection of rainwater.

### Additions

- A stand can be ordered and added – type 7691-S.
- Possibility to purchase a child lock pins, which also serves to secure the lid as protection against strong wind (package contains 4 pcs).
- Drain tap included (hole into the container must be drilled).



### Attributes

It is not suitable to keep any water inside the product in a winter season. The water may become ice and potentially damage the product. The product is made of plastic material and therefore has no fire protection and is therefore a flammable product. Do not store the product in the immediate vicinity of heat sources (e.g. naked fire).

### Winter maintenance

The tank must be completely emptied. Disconnect the tank from the intake from downpipe. Set the tap into open position. In case of usage of downpipe filter, set it into winter mode.

