

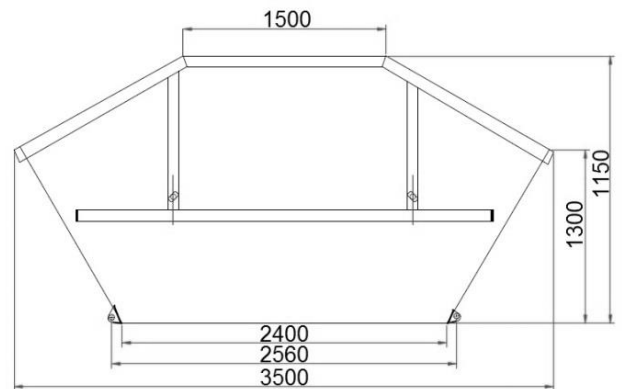
PRODUCT No. 5604-1
Opened tube container – 5,5 m³



(Illustrative photograph)

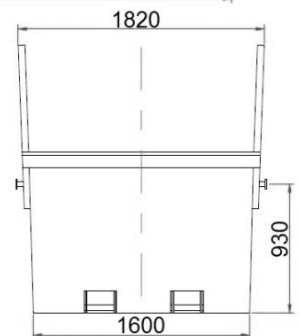
Technical data

Material	Steel sheet
Mat. thickness (bottom/walls)	5/3 mm
Weight	555 kg
Capacity	5,5 m ³
Width	1820 mm
Length	3500 mm
Height	1150 mm



Attributes

- Made of high-quality steel sheet with thickness 5 mm for bottom and 3 mm for sidewalls.
- Tube container with opened design without lids.
- The container may be equipped with spring-loaded lids with fasteners enabling locking.
- Surface finish – base and top layer of powder paint.
- Safety clamps on the bottom are manufactured in two options – West-European type and Czech type.
- Czech type – two lifting attachments side by side.
- West-European type – one lifting attachment.



Color variations

- According to RAL sampler.

Product purpose

- Designed for storage and transport of the municipal, industrial and other waste.

Additions

- When transporting the container, it must be secured against movement by safety clamps on the bottom.