

### PRODUCT No. 3377

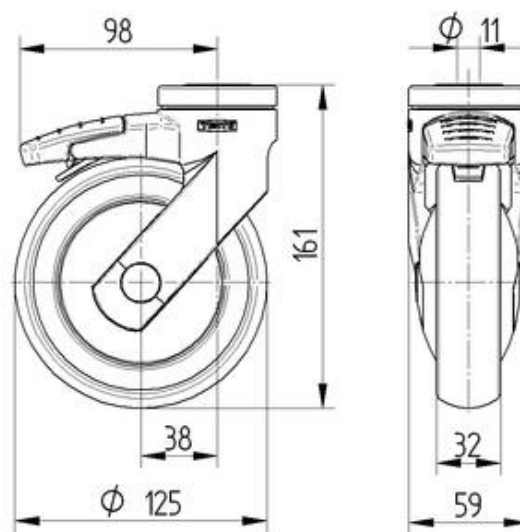
### Wheel with all-plastic structure with brake – 125 mm



(Illustration photograph)

#### Technical data

Material	PP/Thermo-plastic rubber
Type	Turnable / with brake
Bearing	Accurate ball bearing
Weight	0,57 kg
Load capacity (Dynamic/static)	100 / 200 kg
Temperature resistance	-10/+40°C
Tread width	32 mm
Wheel diameter	125 mm
Center hole diameter	11 mm
Height (total)	161 mm



#### Attributes

- Forks and center of wheel are made of polypropylene. Wheel tread is made of thermo-plastic rubber.
- Used materials are high quality and synthetic. Wheel is equipped with anti-fiber cover.
- Wide usage possibility with wide range of equipment, where mobility is needed (smooth and sturdy surfaces only).
- In accordance with EN 12530 regulation – Pulleys and wheels for manually handled institutional equipment.

#### Product purpose

- Designed as instrumental wheel.

#### Additions

- Offered versions with brake or without brake.