

### PRODUCT No. 7593

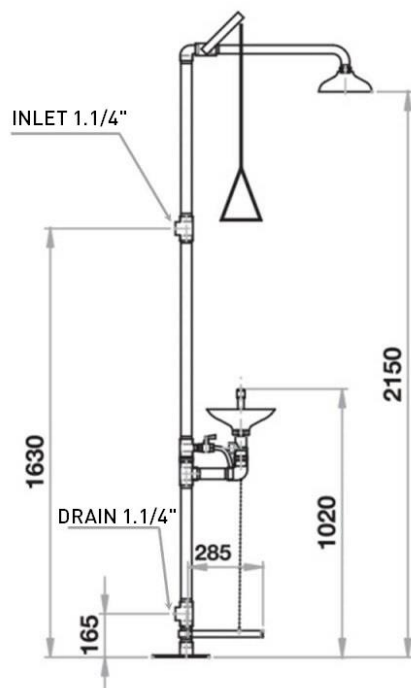
### Combined shower for body and eyes



(Illustrative photograph)

#### Technical data

Material (head/sink/connection parts)	PP / PP / brass
Controlled flow rate – eye shower	14 l/min. +/-10% (0,3 MPa)
Controlled flow rate – body shower	> 120 l / min. (0,3 MPa)
Inlet	1"
Drain	1.1/4"
Recommended water temp. (Min./Max.)	15° - 35°
Required water pressure(Min./Max.)	0,2 MPa – 0,5 MPa
Sink height	1020 mm
Head height	2150 mm



#### Attributes

- The head and sink are made of polypropylene (PP) plastic. The connecting parts are made of brass.
- Effective first aid when burned, burned by acid or scalded.
- Equipped with a hand bar for triggering a body shower.
- The eye shower can be triggered by foot pedal or manually.
- The shower is triggered by a mechanism with a chrome / nickel valve.
- Lever valve remains open until conscious closing.
- Eyepieces provides a gentle, even and wide flow of water during the rinsing process.
- The shower is firmly installed to the floor.
- The tubes are made of galvanized steel and subsequently epoxy prime coated.
- Manufactured in accordance with EN 15154-1, EN 15154-2, UNI 9608, UNI 10271 and DIN 12 899.

#### Color variations

- Green (RAL 6029).

#### Product purpose

- Designed for operations where hazardous substances are used and is there a risk of injury to eyes and body.