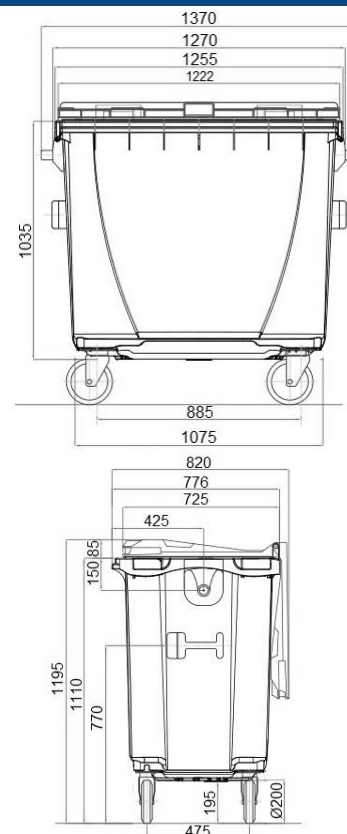


Plastic container with flat lid – 660 l
TYPE: 0021



Illustrational photograph



TECHNICAL DATA

Material	Plastic (HDPE)
Capacity	660 l
Weight	36,5 kg (± 5 %)
Max. weight	310 kg (± 5 %)
Load capacity	273,5 kg (± 5 %)
Wheel diameter	200 mm
Dimensions (W x D x H)	1370 x 776 (820) x 1195 mm

ATTRIBUTES

- Made of 100 % recyclable plastic high-density polyethylene (HDPE).
- Standardly delivered with four wheels with 200 mm diameter – 2x swivel, 2x swivel with brake.
- Manufactured in accordance of EN 840 regulation and certified according to RAL-GZ 951/1.
- Resistant to UV radiation, chemical and biological impacts or to frost.
- Smooth surfaces help against sticking of waste on them.
- Production materials does not contain any cadmium and can be granulated again.

COLOUR VARIATIONS

0021-1 (Blue RAL 5003), 0021-2 (Green RAL-6002), 0021-3 (Black RAL-7016), 0021-4 (Yellow RAL-1018), 0021-5 (Brown RAL 8028), 0021-6 (Red RAL-3013).

PRODUCT PURPOSE

Product is designed as collection container for municipal waste separation.

ADDITIONS

Not suitable for storing hot ash.
 Can be delivered in version with central brake.