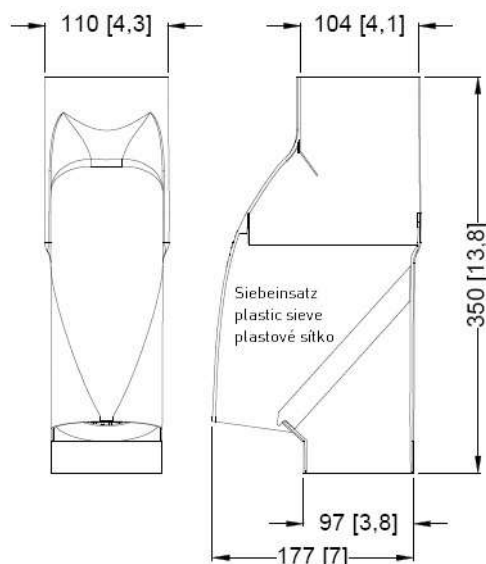


PRODUCT No. 7709

Rain water collector with a dirt separator



(Illustrative photograph)



Technical data

Max. roof area	80 m ²
For pipes of diameter	70 – 100 mm
Distance from wall	5 mm
Width	110 mm
Depth	180 mm
Height	350 mm

Attributes

- Made of plastic material (plastic filter).
- Perfect during frequent falling of leaves.
- It separates leaves and rough dirt reliably preventing pipes from clogging.
- Suitable to be used as pre-filtration.
- Easy removal of the sieve without all the filter disassembly – suitable for cleaning or in the period before frost.
- Easy to be switched from summer to winter operation.
- Suitable for pipes with a diameter of 70 – 100 mm.

Color variations

- Grey.

Product purpose

- Designed for rainwater tanks for collection of rainwater.

Additions

- Optional accessories for rainwater collection tanks.

