

PRODUCT No. 7956

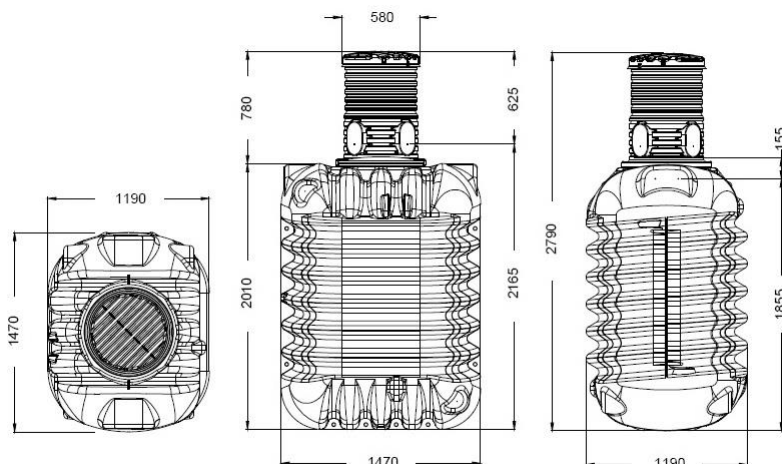
Underground modular tank for rainwater – 2500 l



(Illustrative photograph)

Technical data

| | |
|----------|---------|
| Material | PE |
| Capacity | 2500 l |
| Weight | 87 kg |
| Width | 1470 mm |
| Depth | 1190 mm |
| Height | 2010 mm |



Attributes

- Made of 100% recyclable polyethylene (PE) plastic.
- Manufactured by multi-layer material layering technology for highest stability.
- Obtained with hygienic layer to ensure the best water quality.
- Robust, self-supporting construction that settles on the solid surface without the need for concreting.
- The tank is equipped with patented ribbing and their side-by-side position increases strength and stability of the set.
- Suitable for places with limited space due to the small ground plan dimensions (1,8 m²).
- Each tank has a capacity of 2,5 m³.
- Possibility to connect an unlimited number of additional tanks.
- The dome shafts of connected tanks can be left at their original level or shortened and hidden under the soil.
- The shaft cover is intended for use under pedestrian areas but must not be driven over by cars.
- The 360° swivel dome shaft allows easy installation of the connection pipe.
- Warranty period of 10 years is provided.

Color variations

- Tank / shaft – blue / black.

Product purpose

- Designed for underground installation for rainwater collection.