

PRODUCT No. 7970

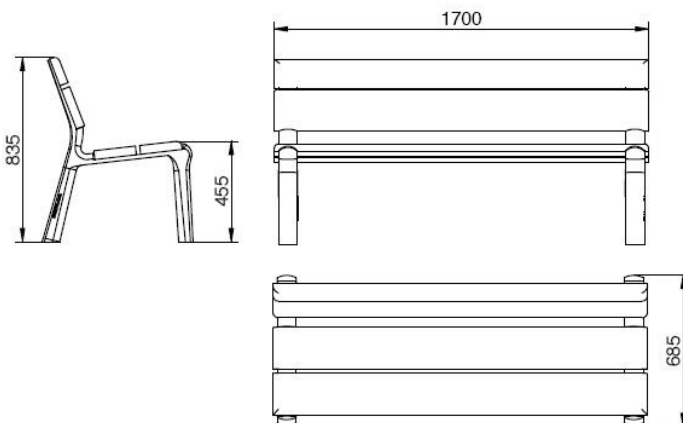
Park bench Delta



(Illustrative photograph)

Technical data

Material	Cast iron/tropical wood
Weight	78 kg
3x wood plank (W x H)	190 x 40 mm
1x wood plank (W x H)	130 x 40 mm
Length	1700 mm
Depth	685 mm
Height (seat)	835 (455) mm



Attributes

- Bench frame is made of cast iron, seat and backrest is made of tropical wood.
- The frame is coated with epoxy base layer and Polyester grey powder upper layer varnish.
- The seat part is made of 2x tropical wood planks with dimensions – Width x Height – 190 x 40 mm.
- The backrest part is made of one wood plank of 190 x 40 mm and one wood plank of 130 x 40 mm.
- The planks are coated with Lignus, fungicide, insecticide and waterproofing.
- The bench is resistant to weather influences.
- Can be anchored (anchoring to concrete pavement).

Color variations

- Planks – Natural shade.

Product purpose

- Designed as a part of urban developments for a rest or public areas.

