

## PRODUCT No. 8026

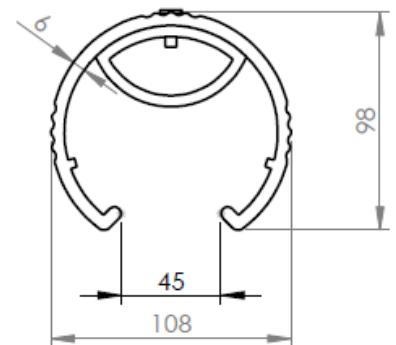
### Flexible protection of rack columns



(Illustrative photograph)

#### Technical data

Material	Polyvinyl chloride (PVC)
Wall thickness	6 mm
Weight	2 kg
Temperature resistance	-10 °C to 60 °C
Inner width	60-80 mm
Width	108 mm
Depth	98 mm
Height	600 mm



#### Attributes

- Made of high quality, long-life polyvinyl chloride.
- Simple and effective protection of rack columns.
- Strong yellow color enhances visibility - RAL 1018.
- The inner side is equipped with rubber elements in exposed areas.
- Rubber elements increase shock absorption from either side.

#### Color variations

- Yellow (RAL 1018).

#### Product purpose

- Designed to protect rack columns in indoor areas where fork-lift machinery is used.

#### Additions

- Possibility to order special levers for mounting of flexible protection - type 8030.