

PRODUCT No. 8034

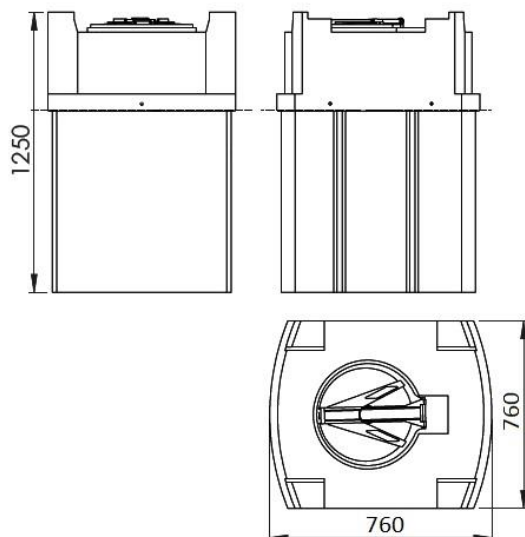
Container for used oil – 200 l



(Illustrative photograph)

Technical data

Material	Polyethylene (PE)
Capacity	200 l
Weight	40 kg
Width	760 mm
Depth	760 mm
Height	1250 mm



Attributes

- Made of high quality polyethylene.
- Double-casing design.
- Material is resistant to oils and commonly used oil chemicals.
- Material is UV resistant.
- Due to the design and quality of the material, the container is resistant to mechanical damage.
- Standard equipment – liquid leak detector in the interlayer, opening for a probe for level measurement.
- Thanks to the double-casing design, the container does not need a catching basin.

Product purpose

- Designed for the collection of used oil (eg. for gas stations, repair shops, etc.)