

PRODUCT No. 7791-Z

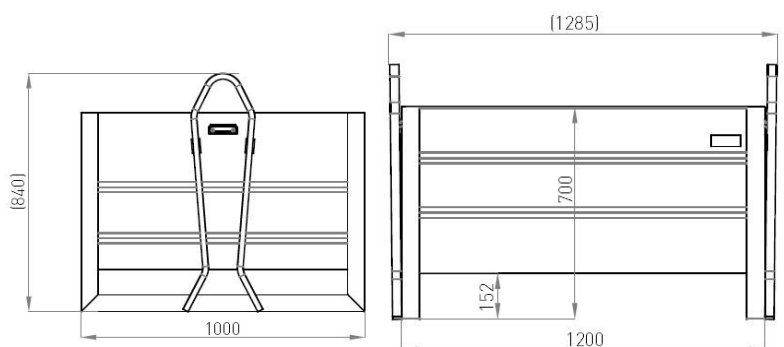
Metal pallet – hot-dip galvanized



(Illustrative photograph)

### Technical data

Material	Steel sheet
Material thickness	2,5 mm
Weight	127 kg
Load capacity (Dynamic/stacking)	1500 / 7500 kg
Width	1000 mm
Length	1200 mm
Height (stacking/total)	700 / 840 mm



### Attributes

- Made of steel sheet reinforced by depression of 2,5 mm thickness.
- Made by welding.
- The pallet frame is made of L 60 x 60 x 6 mm profile.
- The lifting loop is made of 30 x 20 mm steel bar.
- Metal pallet for storing and transporting of piece material.
- Surface finish made by hot-dip galvanizing
- Robust design provides increased durability.
- Easy stacking of pallets.

### Color variations

- Hot-dip galvanized.

### Product purpose

- Designed for storing and transporting of piece material.

