

### PRODUCT No. 8059-3/4

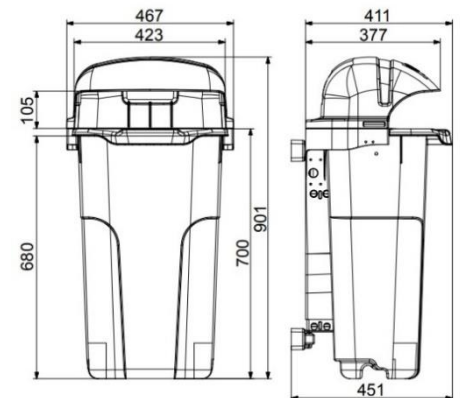
### Waste bin 50 l Urban – black/yellow



(Illustrative photograph)

#### Technical data

Material	Plastic (HDPE)
Capacity	50 l
Weight	5,5 kg (+/-5 %)
Max. fill weight	20 kg
Width	465 mm
Depth	405 mm
Height	922 mm



#### Attributes

- Made of 100 % recyclable plastic – Polyethylene with high density.
- Bin is resistant to UV radiation, heat, frost, weather influences and wide range of chemicals.
- Metal parts are resistant to corrosion.
- Bin can be mounted on a column.
- Equipped with metal sheet for taking out cigarettes.
- Equipped with triangular lock for bin container part removal.
- The container part is equipped with protrusion for easy handling.
- Waste bin is delivered with triangular key.

#### Color variations

- Body / lid - 8059-3/1 (black/blue), 8059-3/2 (black/green), 8059-3/4 (black/yellow), 8059-3/9 (black/orange).

#### Product purpose

- Designed as a waste bin for outside placement.

#### Additions

- Hot-dip galvanized column can be ordered which is designed for placing in concrete – type 6999 (diam. 60 x H 1200 mm).