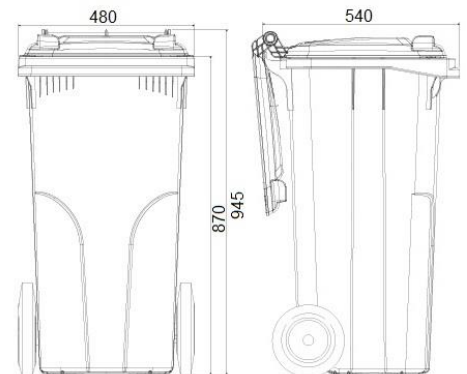


### Plastic container with grate for bio waste – 120 l TYPE: 0004-5BIO/RM



Illustrational photograph



### TECHNICAL DATA

Material	Plastic (HDPE)
Capacity	120 l
Weight	7,5 kg (± 5 %)
Max. weight	60 kg (± 5 %)
Load capacity	48 kg (± 5 %)
Wheel diameter	200 mm
Dimensions (W x D x H)	480 x 540 x 945 mm

### ATTRIBUTES

- Made of 100 % recyclable plastic high-density polyethylene (HDPE).
- Standardly delivered with two rubber wheels with plastic centres with 200 mm diameter.
- Wheels are supplied with metal axle.
- Manufactured in accordance of EN 840 regulation and certified according to RAL-GZ 951/1.
- Resistant to UV radiation, chemical and biological impacts or to frost.
- Smooth surfaces help against sticking of waste on them.
- The body is equipped with holes on the sides for ventilation (5x 20 holes).
- Equipped with tilting plastic grate which is fixed to the container.
- Production materials does not contain any cadmium and can be granulated again.

### COLOUR VARIATIONS

Brown (BIO) – RAL 8028.

### PRODUCT PURPOSE

Product is designed as collection container for bio waste.

### ADDITIONS

Not suitable for storing of hot ash.  
Production material is recyclable.  
Material does not contain cadmium.  
Thermoprinted logo.

