

PRODUCT No. 1832 (US) / 1842 (DIN)

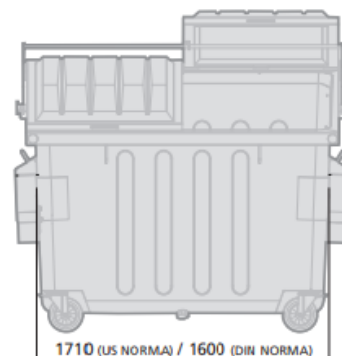
Containers for front dumping – 2,5 m³



(Illustrative photograph)

Technical data

Material	Steel sheet / plastic
Capacity	2500 l (2,5 m ³)
Weight	220 kg
Load capacity	625 kg
Width	1950 mm
Depth	1400 mm
Height	1600 mm



2,5 / 5 m³

Attributes

- Container of steel structure, wheels and plastic lid.
- Suitable for collection of municipal, sorted and trade waste.
- The simple design combines the requirement of an economical container while maintaining high utility value and its long service life.
- Containers are designed for a load capacity not exceeding 625 kg of filling weight.
- The robust structure of the container with reinforcements allows a slight overload in the range of about 15 %.

Product purpose

- Designed for collection of municipal, sorted and trade waste

Additions

- At the customer's request, containers with a different usable capacity can be supplied. It is also possible to fit the containers with legs, further by locking the lid, fixing the lid in open position.

