

PRODUCT No. 1835 (US) / 1845 (DIN)

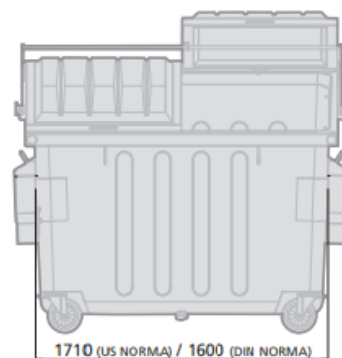
Containers for front dumping – 5 m<sup>3</sup>



(Illustrative photograph)

### Technical data

|               |                            |
|---------------|----------------------------|
| Material      | Steel sheet / plastic      |
| Capacity      | 5000 l (5 m <sup>3</sup> ) |
| Weight        | 350 kg                     |
| Load capacity | 1250 kg                    |
| Width         | 1950 mm                    |
| Depth         | 2420 mm                    |
| Height        | 1650 mm                    |



### Attributes

- Container of steel structure, wheels and plastic lid.
- Suitable for collection of municipal, sorted and trade waste.
- The simple design combines the requirement of an economical container while maintaining high utility value and its long service life.
- Containers are designed for a load capacity not exceeding 1250 kg of filling weight.
- The robust structure of the container with reinforcements allows a slight overload in the range of about 15 %.

### Product purpose

- Designed for collection of municipal, sorted and trade waste

### Additions

- At the customer's request, containers with a different usable capacity can be supplied. It is also possible to fit the containers with legs, further by locking the lid, fixing the lid in open position.

