

### PRODUCT No. 157203

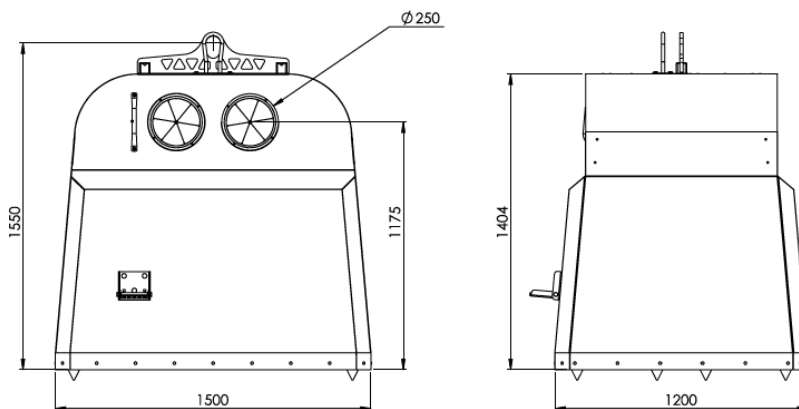
### Metal bottom-dump waste container (drum + pedal) – 2 m<sup>3</sup>



(Illustrative photograph)

#### Technical data

Material	steel
Capacity	2 m <sup>3</sup>
Weight (approx.)	186 kg
Width	1500 mm
Depth	1200 mm
Height	1550 mm



#### Attributes

- Containers are made of steel sheet by welding and riveting method.
- The use of high-quality sheet steel ensures the container is sturdy and robust.
- The container can be fitted with a two-hook mechanism or with a Kinshofer mechanism.
- The container can be equipped on order with a drum opening, opening with flap, circular or combination of opening and foot pedal mechanism.
- The container can be obtained with colour according to RAL sampler or can be equipped with stickers for waste identification.

#### Colour variations

- According to RAL sampler.

#### Product purpose

- Designed for collection of municipal and sorted waste.

#### Additions

- The container can be modified on customer's request.

#### Opening variants (by agreement):

Drum



With flap



Circular



Opening + foot pedal

