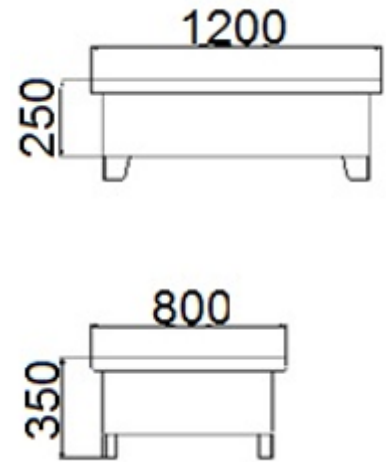


Catching basin with grate – economic series TYPE: 1260E



Illustrational photograph

TECHNICAL DATA

Material	Steel sheet
Sheet thickness	2 mm
Finishing (basin)	Varnished – green RAL 6029
Finishing (grate)	Hot-dip galvanized
Weight	54 kg
Load capacity	600 kg
Capacity	220 l
Width	1200 mm
Depth	800 mm
Height	250/350 mm

ATTRIBUTES

- Catching basin for storing of 2x 200 l barrels.
- Version with grate for easier manipulation with barrels.
- Equipped with pouches for manipulation by fork-lift machinery.

COLOUR VARIATIONS

Basin / grate – green (RAL 6029) / hot-dip galvanizing.

PRODUCT PURPOSE

Product is designed for catching in of unwanted fluid leakage.

ADDITIONS

Catching basin must be in an empty state when is handled by a fork-lift machinery.