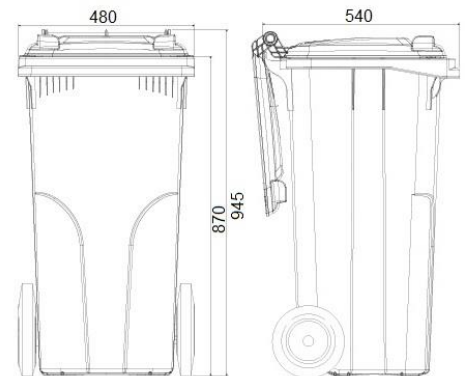


Plastic container with opening for plastic waste – 120 l
TYPE: 8833



Illustrational photograph



TECHNICAL DATA

Material	Plastic (HDPE)
Capacity	120 l
Weight	7,5 kg (± 5 %)
Max. weight	60 kg (± 5 %)
Load capacity	48 kg (± 5 %)
Wheel diameter	200 mm
Dimensions (W x D x H)	480 x 540 x 945 mm

ATTRIBUTES

- Made of 100 % recyclable plastic high-density polyethylene (HDPE).
- Equipped with opening adjusted for separated waste – plastics (160-190 mm).
- Standardly delivered with two rubber wheels with plastic centres with 200 mm diameter.
- Wheels are supplied with metal axle.
- Manufactured in accordance of EN 840 regulation and certified according to RAL-GZ 951/1.
- Resistant to UV radiation, chemical and biological impacts or to frost.
- Smooth surfaces help against sticking of waste on them.
- Production materials does not contain any cadmium and can be granulated again.

COLOUR VARIATIONS

Yellow variation (for collecting plastics) – RAL-1018.

PRODUCT PURPOSE

Product is designed as collection container for municipal waste separation – modified for collection of plastics.

ADDITIONS

Lock for the lid can be ordered.
Not suitable for storing of hot ash.
Production material is recyclable.
Material does not contain cadmium.
Thermoprinted logo.