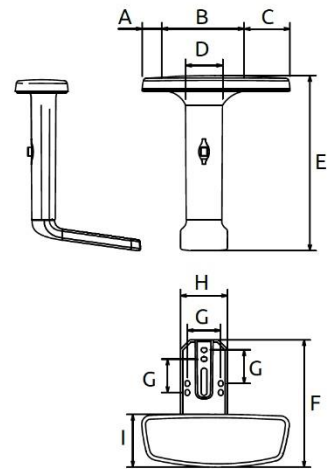


Plastic armrests
TYPE: 8438



A	B	C	D	E	F	G	H	I
33	135	75	60	265-355	210	55	77	86

Illustrational photograph

TECHNICAL DATA

Material	Nylon
Stroke	90 mm
Dimensions (PAD)	240 x 80 mm

ATTRIBUTES

- All-plastic 2D T-shaped armrests made of black nylon.
- Adjustable in height and in direction forwards and backwards.
- PAD is softened with dimensions of 240 x 80 mm and can be used adjusted longitudinally in a range of 50 mm.
- The height of the armrest itself is 90 mm.

COLOUR VARIATIONS

Black.

PRODUCT PURPOSE

Product is designed for hands support.