

### PRODUCT No. 7308

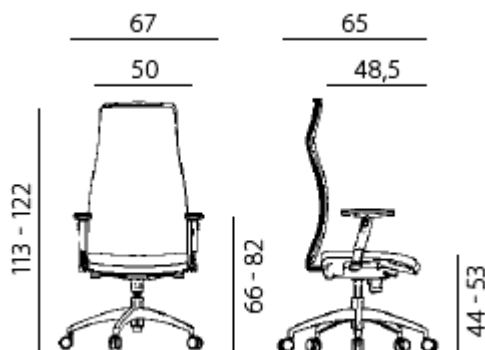
### Office chair Sander with airy backrest - blue



(Illustrative photograph)

#### Technical data

Material	Fabric/netting/steel
Weight	16,3 kg
Load capacity	120 kg
Width	670 mm
Seat depth	485 mm
Height (total)	1130 – 1220 mm
Seat height	440 – 530 mm



#### Attributes

- Seat is covered with fabric, backrest is made of netting and base is made of chrome steel.
- Equipped with airy, high backrest and adjustable armrests with soft surface.
- Equipped with a lumbar support.
- Equipped with a synchronous mechanism with fixation in any position and counterweight adjustment.
- Equipped with wheels for soft surfaces.

#### Color variations

- Blue / chrome

#### Product purpose

- Designed for indoor sitting.