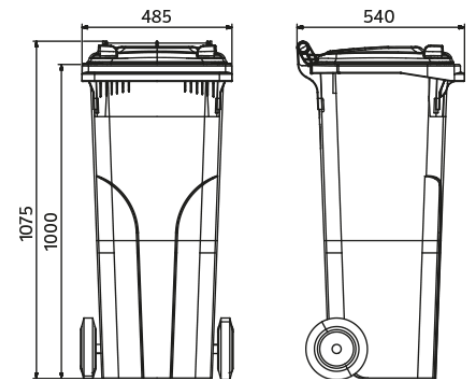


Plastic container – 140 l  
TYPE: 0012



Illustrational photograph

### TECHNICAL DATA

Material	Plastic (HDPE)
Capacity	140 l
Weight	8,8 kg (± 5 %)
Max. weight	70 kg (± 5 %)
Load capacity	56 kg (± 5 %)
Wheel diameter	200 mm
Dimensions (W x D x H)	485 x 540 x 1075 mm

### ATTRIBUTES

- Made of 100 % recyclable plastic high-density polyethylene (HDPE).
- Standardly delivered with two rubber wheels with plastic centres with 200 mm diameter.
- Wheels are supplied with metal axle.
- Manufactured in accordance of EN 840 regulation and certified according to RAL-GZ 951/1.
- Resistant to UV radiation, chemical and biological impacts or to frost.
- Smooth surfaces help against sticking of waste on them.
- Production materials does not contain any cadmium and can be granulated again.

### COLOUR VARIATIONS

0012-1 (Blue RAL 5003), 0012-2 (Green RAL-6002), 0012-3 (Black RAL-7016), 0012-4 (Yellow RAL-1018), 0012-5 (Brown RAL 8028), 0012-6 (Red RAL-3013).

### PRODUCT PURPOSE

Product is designed as collection container for municipal waste separation.

### ADDITIONS

Not suitable for storing of hot ash.  
Production material is recyclable.  
Material does not contain cadmium.  
Thermoprinted logo.

