

PRODUCT No. 4832

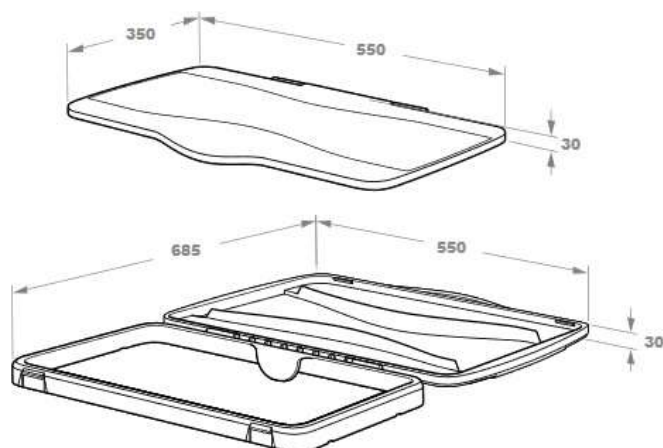
Hinged lid for container – black



(Illustrative photograph)

Technical data

| | |
|----------------|-------------------|
| Material | Polyethylene (PE) |
| Color | Black |
| Width (opened) | 350 (685) mm |
| Length | 550 mm |
| Height | 30 mm |



Attributes

- Made of high quality polyethylene.
- Color variation enables easy waste sorting.
- The shape of the lid complies to designated type of waste.
- Equipped with a hinged lid.

Color variations

- 4831 (Black), 4832 (Black).

Product purpose

- Designed for sorting of common waste.

Additions

- Lids are designed for SLIM JIM containers – type 3050 and 3145.

