

PRODUCT No. 4831

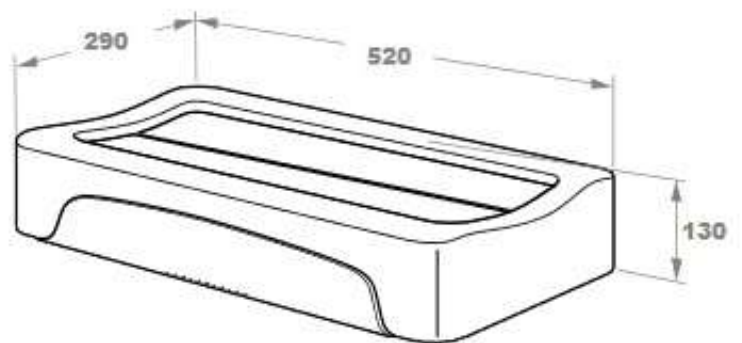
Lid with flap for container – black



(Illustrative photograph)

Technical data

Material	Polyethylene (PE)
Color	Black
Width	290 mm
Length	520 mm
Height	130 mm



Attributes

- Made of high quality polyethylene.
- Color variation enables easy waste sorting.
- The shape of the lid complies to designated type of waste.
- Equipped with a flap.

Color variations

- 4831 (Black), 4832 (Black).

Product purpose

- Designed for sorting of common waste.

Additions

- Lids are designed for SLIM JIM containers – type 3050 and 3145.

