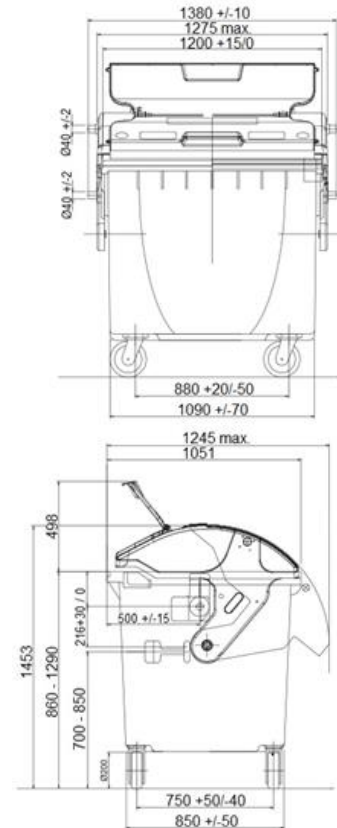


Plastic container with rounded lid and lid in the lid – 1100 l  
 TYPE: 0014-3/4 V/V



Illustrational photograph



## TECHNICAL DATA

|                        |                              |
|------------------------|------------------------------|
| Material               | Plastic (HDPE)               |
| Capacity               | 1100 l                       |
| Weight                 | 48 kg (± 5 %)                |
| Max. weight            | 510 kg (± 5 %)               |
| Load capacity          | 440 kg (± 5 %)               |
| Wheel diameter         | 200 mm                       |
| Dimensions (W x D x H) | 1380 x 1051 (1245) x 1453 mm |

## ATTRIBUTES

- Made of 100 % recyclable plastic high-density polyethylene (HDPE).
- Equipped with rounded with smaller lid – lid in the lid.
- Standardly delivered with four wheels with 200 mm diameter – 2x swivel, 2x swivel with brake.
- Manufactured in accordance of EN 840 regulation and certified according to RAL-GZ 951/1.
- Resistant to UV radiation, chemical and biological impacts or to frost.
- Smooth surfaces help against sticking of waste on them.
- Production materials does not contain any cadmium and can be granulated again.

## COLOUR VARIATIONS

0014-3/4 V/V – black / yellow lid in the lid.

## PRODUCT PURPOSE

Product is designed as collection container for municipal waste separation.

## ADDITIONS

Not suitable for storing hot ash.  
 Can be delivered in version with central brake.  
 A children safeguard can be ordered.