

PRODUCT No. 0014-3/1 V/V

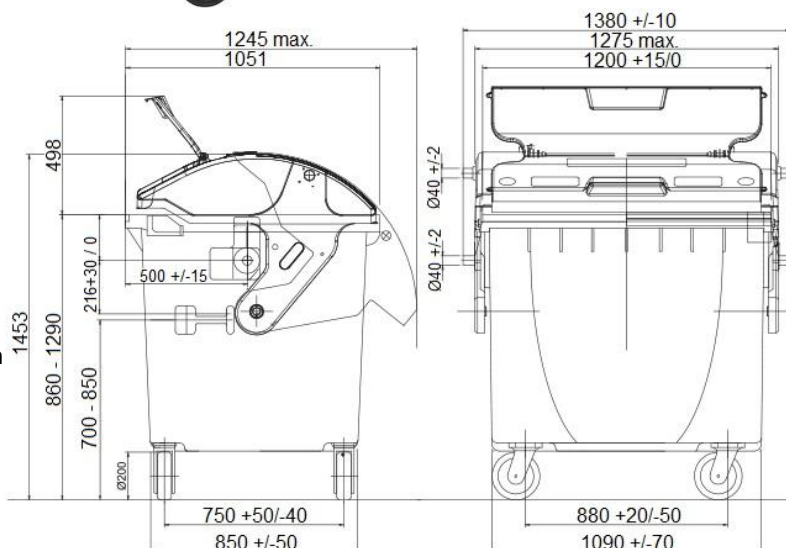
Plastic container – 1100 l – Rounded lid – Lid within the lid (Blue)



(Illustration photograph)

Technical data

Material	Plastic (HDPE)
Capacity	1100 l
Weight	50 kg (+/- 5%)
Load capacity	440 kg (+/- 5%)
Max. weight	510 kg (+/- 5%)
Wheel diameter (2x brakes)	200 mm
Width	1380 mm
Depth (max.)	1051 (1245) mm
Height	1453 mm



Attributes

- Made of Polyethylene with high density (HDPE).
- Equipped with lid in the lid.
- Standardly delivered with two brakes on two wheels – wheel diameter is 200 mm.
- Can be delivered in version equipped with central brake and children safeguard.
- Maximal load capacity – 510 kg.
- In agreement with EN 840 certification.
- Resistant to UV radiation, chemical and biological impacts and frost.
- Smooth surfaces helps against sticking of waste on them.
- Manufacture materials doesn't contain any cadmium and can be granulated again.
- Child safety lock can be ordered.

Color variations

- 0014-3/1V/V (Blue), 0014-3-2 (Green), 0014-3/3 (whole-black version), 0014-3/4 (Yellow), 0014-3/6 (Red), 0014-3/9 (Orange)

Product purpose

- Designed for collecting of municipal and industrial waste.

