

## PRODUCT No. 4904

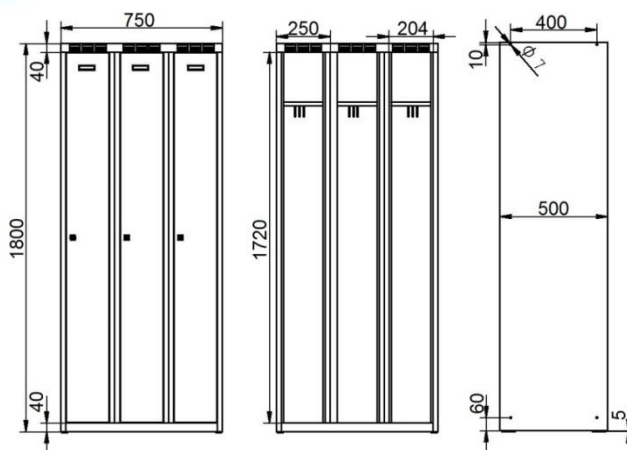
### Wardrobe on the base – grey



(Illustrative photograph)

#### Technical data

Material	Steel sheet
Weight/capacity (approx.)	47,6 kg / 3x 205 l
Lock	Cylindric
Color variation	Grey (RAL 7035)
Base	40 mm
Section No.	3x
Doors in section No.	1x
Section width	250 mm
Width	750 mm
Depth	500 mm
Height	1800 mm



#### Attributes

- Made of steel sheet of thickness from 0,6 mm (housing) to 1 mm (bottom and upper part).
- High quality welded design.
- Effective ventilation system.
- Highly resistant to violent intrusion – double layered housing, door stopper.
- Each section is individually lockable by a cylindrical lock.
- High quality surface finishing – RAL 7035 for body and RAL 7035 for doors.
- Equipped with openings on sides for connecting wardrobes into line.
- Equipped with: Shelf, bar for hangers, 3x hook.

#### Color variations

- Body/doors – grey (RAL 7035)/grey (RAL 7035)

#### Product purpose

- Designed for storing of personal/work items and clothing.

#### Additions

- Also available in blue doors version (RAL 5012).
- Safety turnable padlock for hanging lock can be ordered.
- New design ensures high burglary resistance.